

R9000

Electronic Raising Machine



Technology, Quality, Experience, Excellence...
Made in Italy

R9000

Electronic Raising Machine

The raising machine R9000 is the result of the experience of DANTI PAOLO company, who started manufacturing raising machines in 1935. The machine is controlled by PLC, with operator interface by Color Touch Screen and drive by AC motors with vector control Inverters.

The Raising machine R9000 is manufactured in several models suitable to process any kind of fabrics and is available with 24, 28, 30 and 36 raising rollers, in widths from mm.1800 to mm.3600; various accessories are available according to the kind of fabric to be processed and to customer's production requirements.

The use of PLC for total control of machine's operation allows to have the following additional functions :

- **AUTOMATIC FABRIC LOADING** on the drum.
- **INDEPENDENT MOTION OF THE AXLES** to change the raising fillet on the machine.
- **AUTOMATIC RAISING** to have the same raising power when changing fabric speed or drum speed.
- **ZERO RAISING** to cancel immediately the raising power with drum still rotating and fabric in motion, to avoid breaking of the seams.
- **MEMORIZATION** of processing parameters in the machine memory, to recall them in the future.
- **RAISING POWERS** can be set either at machine in motion and at machine stopped.

The use of vector control inverters, with our exclusive energy recovery system, allows to have the following advantages :

- **RECOVERY OF ENERGY** from the Pile and Fabric tension motors in favor of the Drum, Counterpile and Fabric speed motors.
- **NO PHASE DISPLACEMENT** to avoid reactive energy and have energy saving.
- **NO PEAK AT START-UP** to decrease energy consumption.

All the raising parameters are constantly monitored by the PLC which is controlling the Inverters in order to make a real-time correction and have a perfect balancing of raising powers.

Thanks to this control system, the tension of the fabric can be controlled very precisely and the power of raising can be modulated with a wide range, from a gentle napping action, to a powerful raising action. The fabric is raised with the minimum possible stress, to reduce fabric stretching, but with the maximum efficiency.

The machine is equipped with metallic cleaning brushes for cleaning and sharpening of the raising fillet and allow a longer life of raising fillets. The cleaning brushes are turning in synchronization with the main drum and are equipped with safety disconnection unit and automatic synchronization system.

According to the type of fabric to be processed, the machine can be equipped with different accessories :

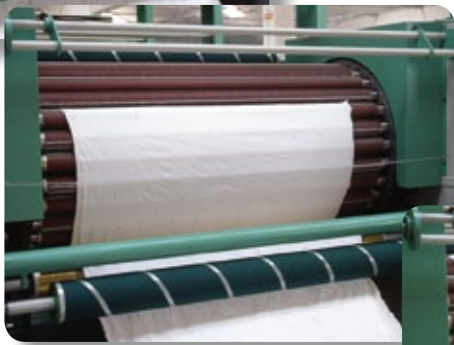
- **DECURLING ROLLERS FOR KNITTED FABRIC IN OPEN WIDTH.**
- **EXPANDING RINGS FOR KNITTED FABRICS IN TUBULAR FORM.**
- **FABRIC TURNING DEVICE FOR KNITTED FABRICS IN TUBULAR FORM.**
- **HEATER CYLINDER.**
- **ELECTROSTATIC ELIMINATOR.**
- **ROLLING UNIT FOR BIG ROLLS.**
- **SPECIAL FABRIC FOLDER WITH VARIABLE LENGTH.**

The machine is equipped with modem for remote connection and troubleshooting.



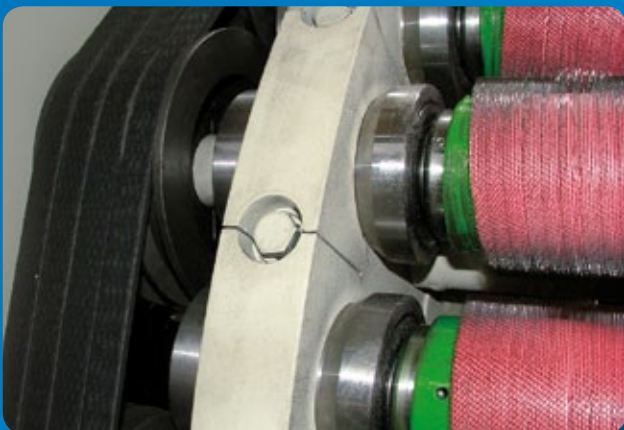
The machine is equipped with control panel by Color Touch Screen for complete machine monitoring. When an alarm occurs the color touch screen is also displaying the photo of the faulty part, for a quicker identification.





Thanks to Inverter drive, several additional functions are available. Among these the automatic loading of the fabric on the drum.

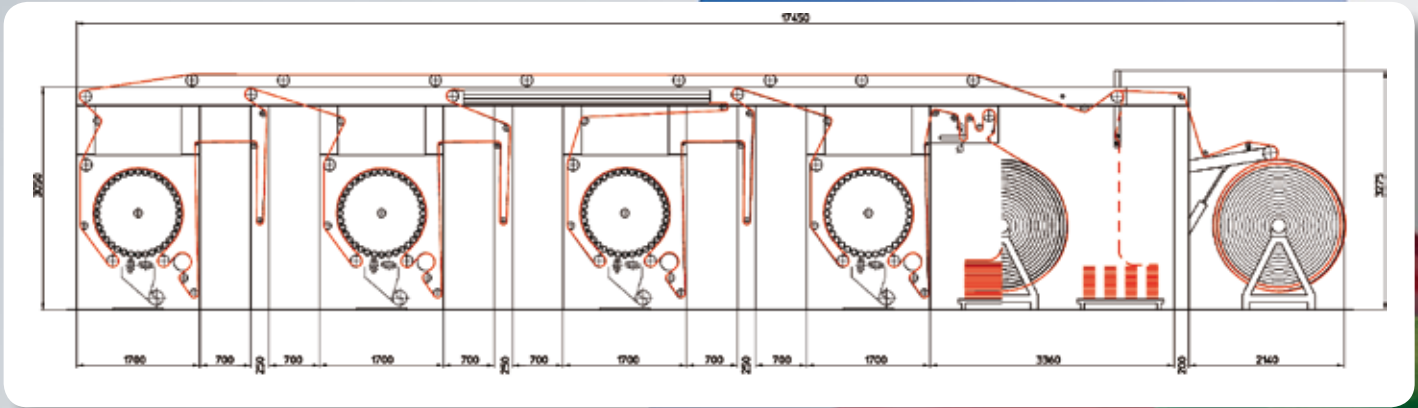
The raising rollers are supported on single or on double bearing per side and are driven by 4 or 5 V-type belts according to the model of machine.



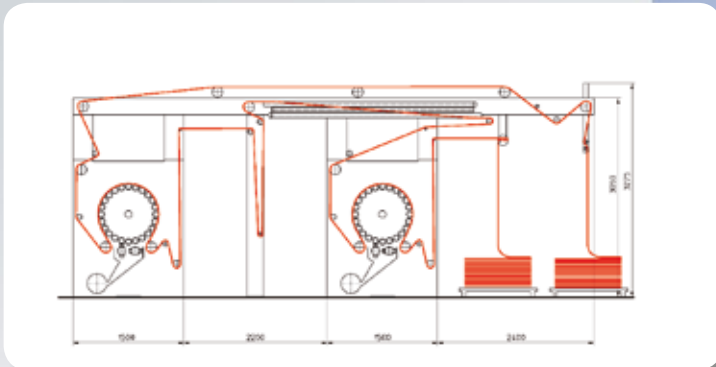
In some version the machine is equipped with tensioning of the raising rollers drive belts by pneumatic cylinders, for adjustable tension of the belts and releasing of belts tensioning at machine stopped.



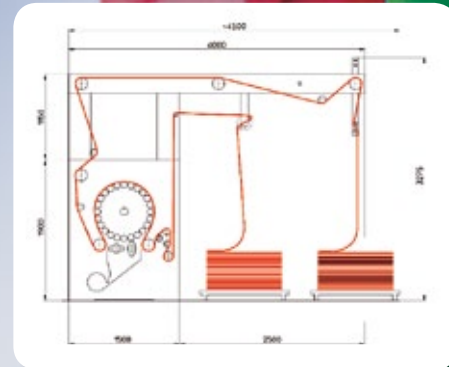
The machine is available with 24, 28, 30 or 36 raising rollers, in widths from mm.1800 to mm.3600 and different accessories according to the type of fabric to be processed.



Line of four raising machines with turning device, dancing rollers and entry/exit by fold and batch



Line of two raising machines with fabric turning device and dancing roller



Example of raising machine



DANTI PAOLO & C. srl

Viale Labriola, 183/185/187 • 59013 Montemurlo (PO) Italy
Tel. +39 0574 652477 • Fax +39 0574 650042

info@danti.it

www.danti.it