

# DP7

## Shearing Machine



# DP7V

## Vertical Shearing Machine



Technology, Quality, Experience, Excellence...  
Made in Italy

# DP7

## Shearing Machine

The shearing machine is equipped with a new type of shearing unit, completely re-designed with modern CAD workstations and created with the cooperation of our customers. The new shearing unit features the following advantages:

- Higher power of shearing; even the toughest fibres can be sheared without problems.
- Higher production; It is possible to process at higher speed, without losing quality.
- Longer life of the blades sharpness; more metres of fabric between one sharpening and the other.
- Possibility to shear very low on the fabric surface; to obtain a pile so short as you never seen before.



The drive by inverters adds many advanced functions to the machine:

- **PRECISE CONTROL OF THE FABRIC TENSION** through motors with inverter. Even the most delicate fabrics can be processed without stress.
- **REVERSE MOTION.** This function is very useful for:
  1. Checking the shearing result immediately after shearing, by moving the fabric backwards.
  2. Avoid marks at stops and starts. During the reverse motion, the fabric keeps its pre-set fabric tension.
- **MEMORISATION OF PROCESSING DATA** to store in the memory of the PLC the processing data of each fabric and recall them at a later time, when processing the same kind of fabric. Possibility to connect the machine with the factory host, for remote monitoring.





# DP7V

## Vertical Shearing Machine

The vertical shearing machine DP 7 V is designed with two superimposed shearing units; this layout allows a considerable saving of space, without jeopardizing the simplicity of operation of the machine.

The DP 7 V Vertical Shearing machine is available in two main versions:

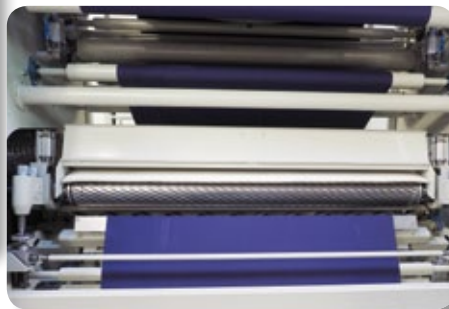
- Shearing twice the same face in one passage.
- Shearing once, both faces in one passage.

The heart of the machine, the shearing unit, is the already well tested DP 7 single unit shearing machine. This shearing unit, thanks to a particular pitch of the ledger blade in comparison with the shearing rollers and a special anti-vibration and balancing system, allows the following advantages:

- A higher shearing power.
- A higher production than a conventional machine.
- A longer life of the blades.
- The possibility to shear the fabric surface very low.

The drive of the various axles is through AC motors with power supply INVERTERS, the control of the machine is through PLC with TOUCH SCREEN.

All the machine's functions are controlled and displayed with the Touch Screen, with digital display of fabric speed and tension, shearing height, speed of shearing rollers and brushes, troubleshooting with display of photo of faulty component.



The electronic system allows to have the following advantages :

- **MEMORIZATION OF THE PROCESSING DATA.**
- **POSSIBILITY OF EXPORTING TO MEMORY CARD** for data management.
- **CONNECTION TO FACTORY MAIN SERVER** for the monitoring of production statistics.
- **REMOTE CONNECTION WITH DANTI PAOLO SERVICE** for software troubleshooting.

### ELECTRONIC MEASUREMENT OF FABRIC THICKNESS.

Thanks to a precise measuring instrument, the thickness of the fabric is constantly measured and both the shearing height and the approaching of the velveting rollers is automatically adjusted to the fabric thickness.

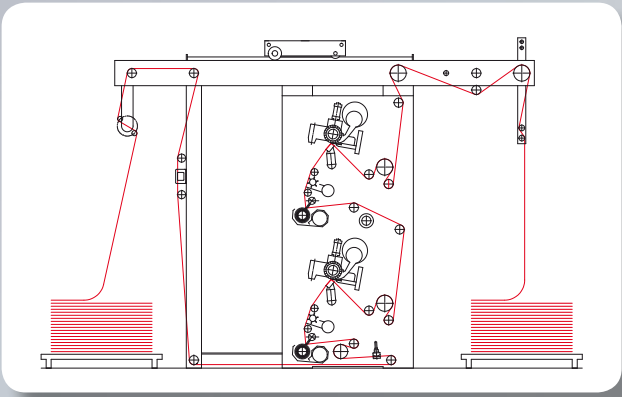
### HIGH PRECISION SEAMS JUMP

The fabric distance is measured with high precision to achieve a precise shifting of cutting stands and velveting combs to the passage of the seams and have a minimum amount of un-processed fabric.

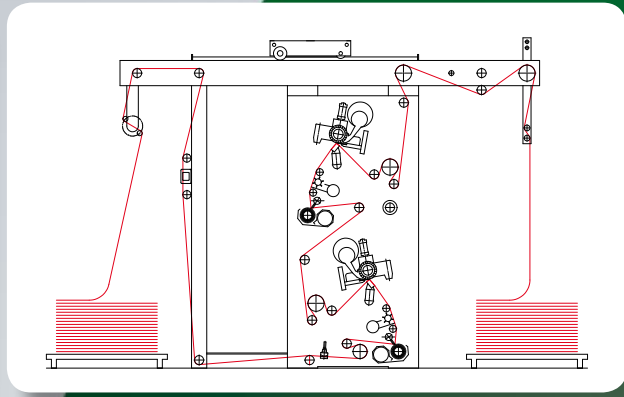
The machine can be supplied complete with all the accessories needed for specific fabric processing:

- Seams detector with magnetic induction.
- Metal Detector.
- Special cutting stand with PIANO DEVICE for selvedge protection.
- Fabric centering unit with photocells.
- Brush at exit.
- Spare shearing unit.
- Automatic lubrication.
- Dust suction and recovery plant.

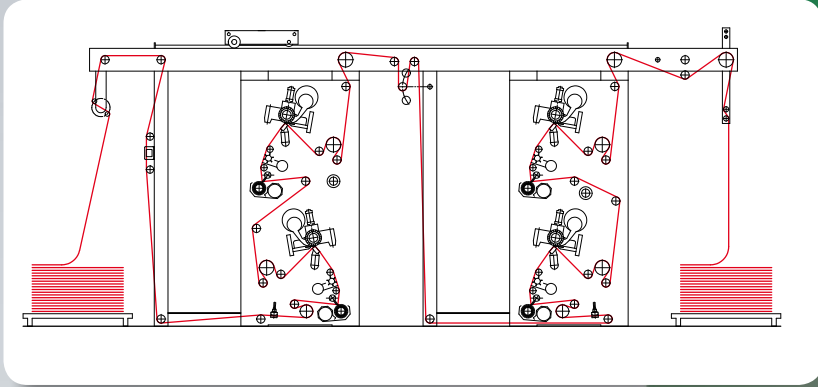
These options can be discussed to match your ideal requirements.



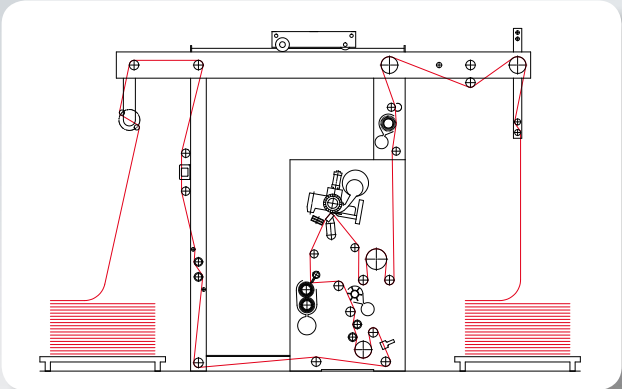
Vertical shearing machine suitable to process two times the same face.



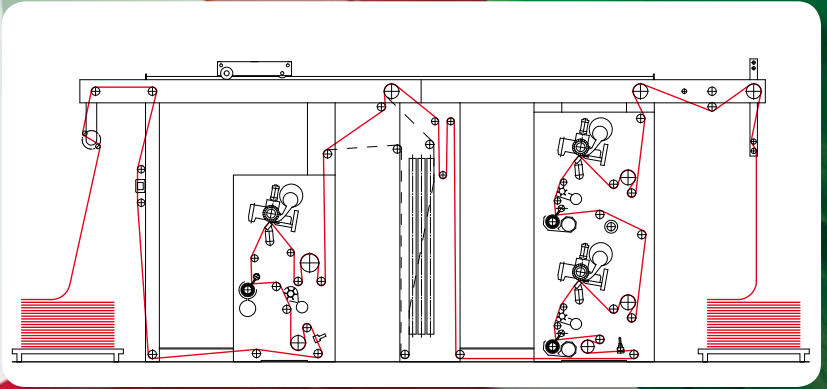
Vertical shearing machine suitable to process both faces.



Line of two Vertical shearing machine suitable to process once the reverse and three times the face of the fabric.



Single head Shearing machine suitable for knitted fabrics.



Line of single shearing machine and vertical shearing machine with fabric turning device.



DANTI PAOLO & C. srl

Viale Labriola, 183/185/187 • 59013 Montemurlo (PO) Italy  
Tel. +39 0574 652477 • Fax +39 0574 650042

info@danti.it

[www.danti.it](http://www.danti.it)